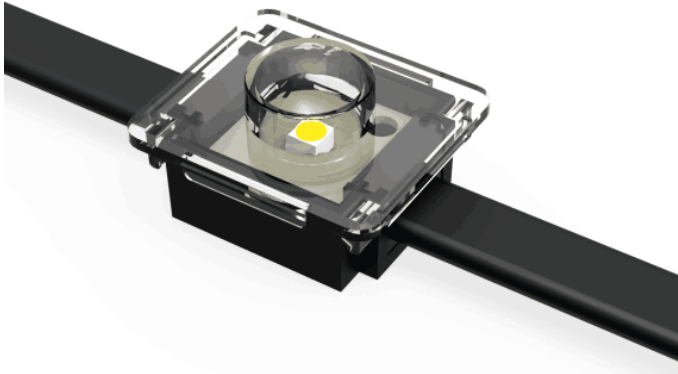


**EXC-P22EP1 LED Pixel Light**



Application Environment:  
Indoor  
Outdoor

**Description**

**EXC-P22EP1 full color series** are a full-color LED series string LED pixel, which are designed for outdoor landscape lighting by EXC-LED. Each EXC-P22EP1 pixel is a separate lighting pixel, and each pixel can realize 256 grades gray scale changing. They can be used for indoor and outdoor applications, such as building facade, shopping mall, celebration ceremony or party decoration. Customized pixel pitch, and easy installation.

**Features**

- The newest generation technology: DMX512 parallel bus design
- Clip on-off style connection and anti-pull connection without connector design
- High thermal conductivity transformer and full-sealed filling waterproof method by German imported glue
- Outdoor lighting protection and electrostatic discharge (ESD) protection design

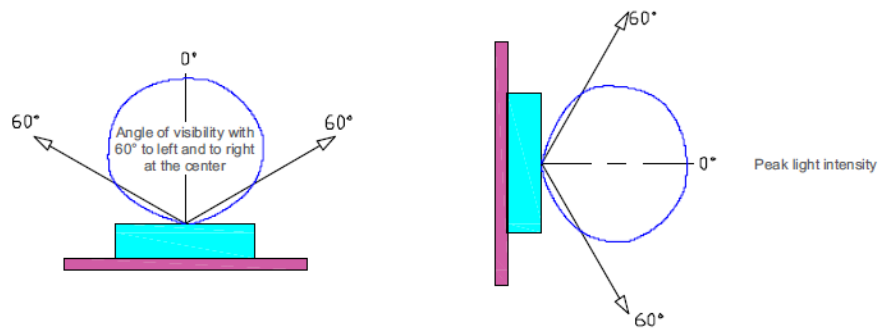
**Basic Specifications**

Color	RGB, W, RGBW
Working Voltage	DC5V
Max. Power Consumption	0.3W
Light Source	1 pcs SMD LEDs
CRI	80
Control	DMX512, ON/OFF
Grey Scale	8bit, 16bit
Source Life	50,000h
RDM	Optional
LED chip Brand	Optional(Cree, OSRAM, Lumileds, Epistar, etc...)
Cover	PC(Transparent, Opal, Crystal)
Housing	PC+ABS
Weight	10g
Dimensions	30mm x 26mm x 17.45mm (L x W x H, exclude Mounting Bracket)

Installation	Installation with steel wire, Front loading buckle installation
Working Temperature	-40°C to 60°C
Storage Temperature	-40°C to 70°C
Protection Rating	IP66
Luminous Flux	25LM/W(RGB), 50LM/W(White), 30LM/W(RGBW)
Central Light Intensity	≥3cd(RGB)
Beam Angle	≥105°

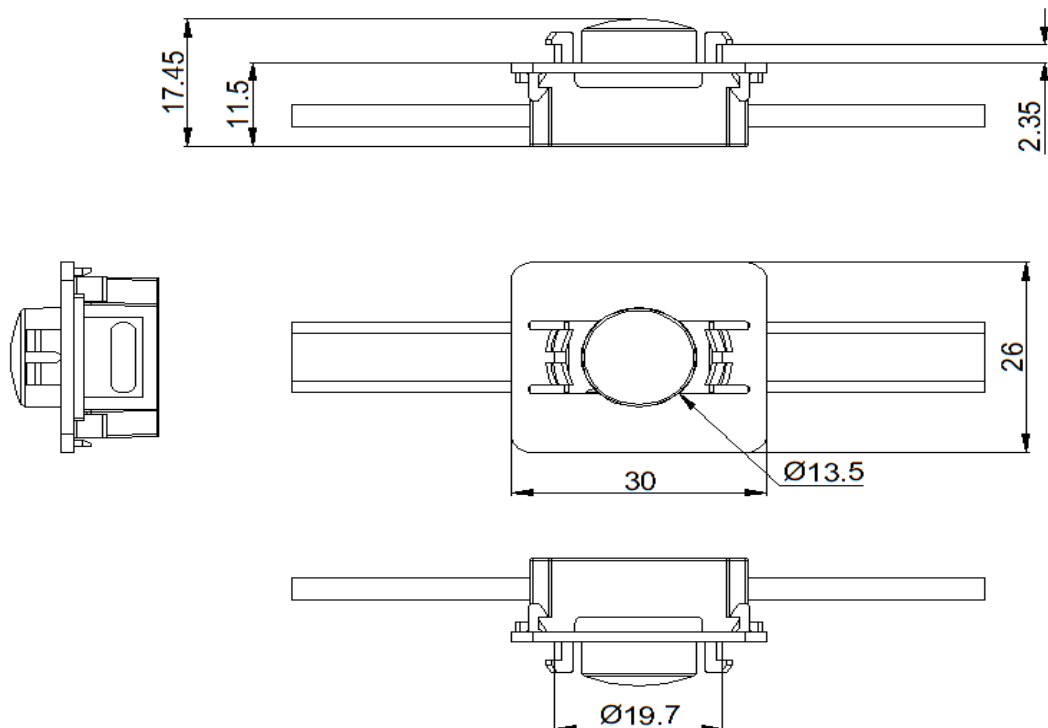
### Light Intensity Distribution

Light Intensity Chart

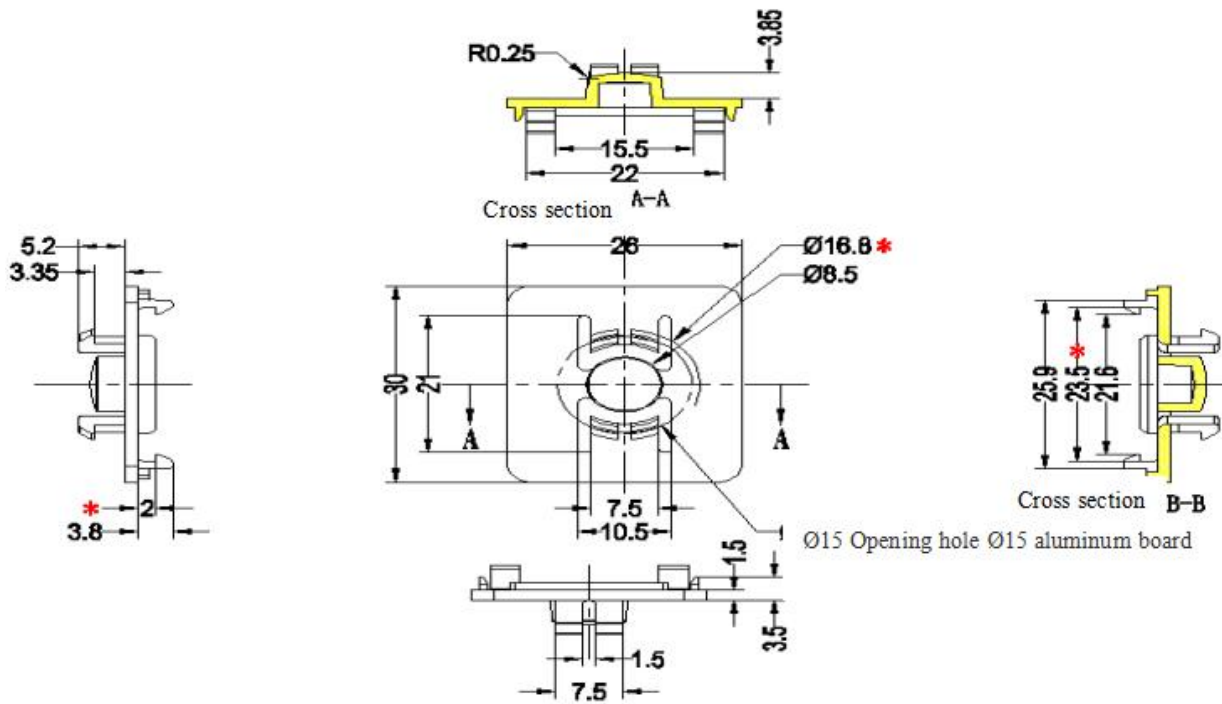


### Physical Dimension

Unit: mm



### Mounting Accessories 1:

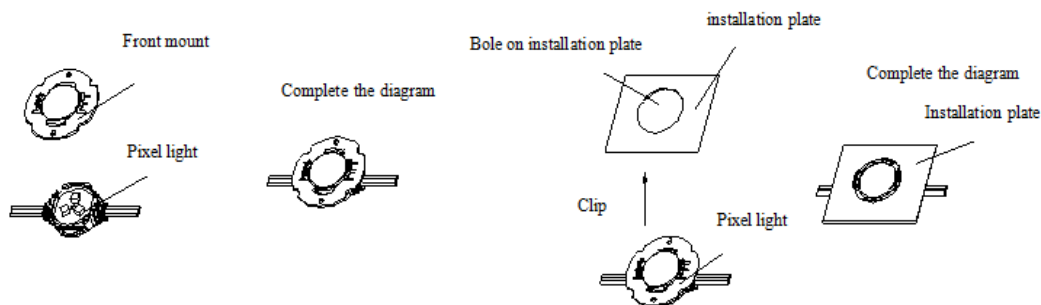


### Installation Diagram

#### 1. Mount by clip

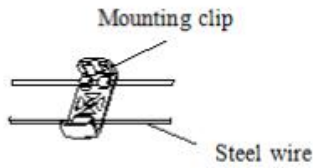
Step 1: Fasten the mount to the lamp point as shown in the picture and complete it in the factory.

Step 2: Fasten the completed lamp to the mounting plate through the buckle as shown in the figure. The specific spacing is according to the order requirements.

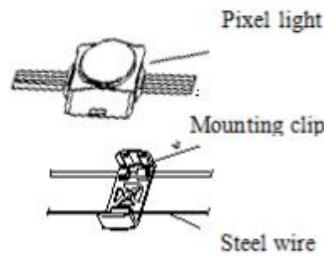


#### 2. Mount by steel wire

Step 1: First pull the wire and then snap the mount onto the wire as shown



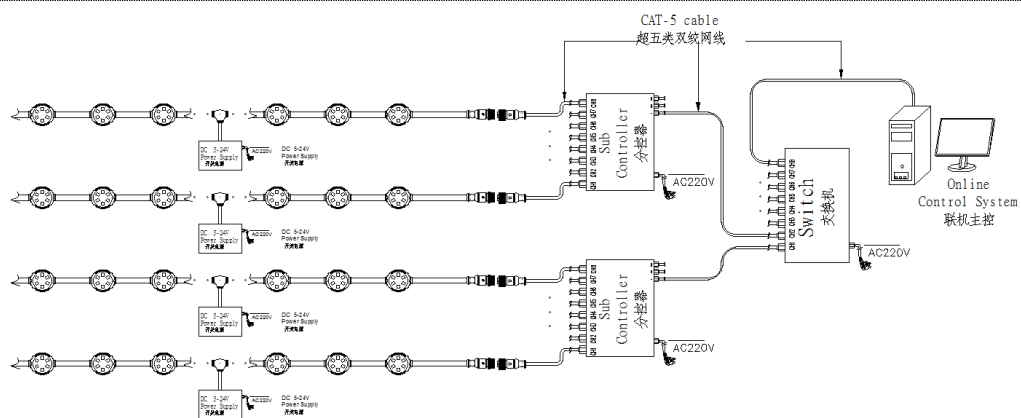
Step 2: Fasten the point light source to the mount as shown in the figure, and the spacing can be adjusted.



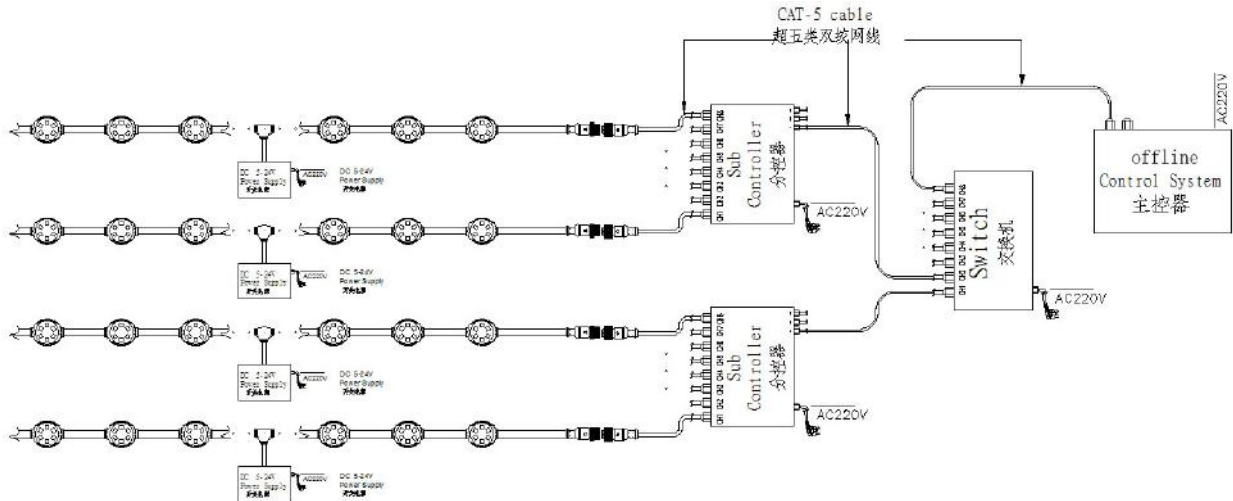
### System connection diagram:

- 1、 Host controller should connect with slave controller. Working voltage for controllers are AC220V.
- 2、 On-line main controller should connect with slave controller, on-line main controller and sub controller working voltage are AC220V.
- 3、 each sub-controller with 8 ports, with each port 512 pixels, supporting data converter, supports 100 meters ultra-long haul transmission.
- 4、 The CAT-5 e. cable distance should be within 100 meters between host controller and slave controller, between slave controllers and switch, etc.

### Online Controlling System Diagram



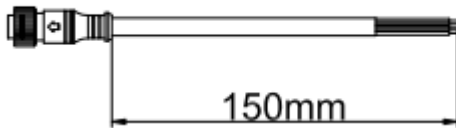
### Offline Controlling System Diagram



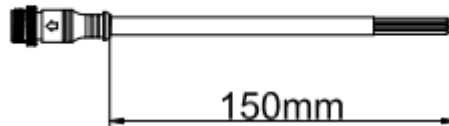
**Accessories :**

**1: Female and Male Connector( Connect to first dot light for signal transmission)**

Female Connector

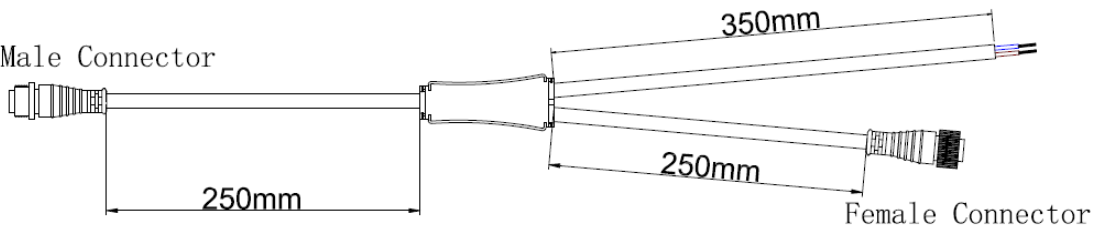


Male Connector



**2: Y Shape Connector(For power Distribution)**

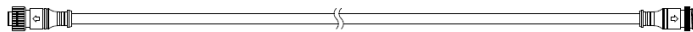
Male Connector



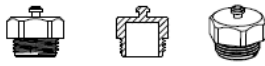
**3: Interconnection Cable(1.3M,3M,5M is standard length)**

Female Connector

Male Connector



**4: End Cap**



Male Connector



Male Connector