

## EXC-P28GP LED Pixel Light



Application Environment:  
Indoor  
Outdoor

### Description

**EXC-P28GP full color series** are a full-color LED series string LED pixel, which are designed for outdoor landscape lighting by EXC-LED. Each EXC-P28GP pixel is a separate lighting pixel, and each pixel can realize 256 grades gray scale changing. They can be used for indoor and outdoor applications, Customized pixel pitch, and easy installation.

### Features

- Compact design, 11mm thickness
- The newest generation technology: DMX512 parallel bus design
- Clip on-off style connection and anti-pull connection without connector design
- High thermal conductivity transformer and full-sealed filling waterproof method by German imported glue
- Outdoor lighting protection and electrostatic discharge (ESD) protection design
- Flexible design ensures 4 kinds of mounting way

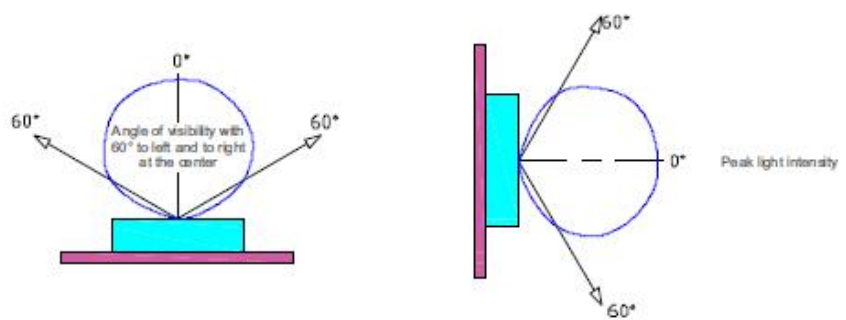
### Basic Specifications

Color	W(2200K-6500K), RGB, RGB+W, etc...
Working Voltage	DC12V/5V
Max. Power Consumption	0.6W
Light Source	2 pcs SMD LEDs
CRI	80
Control	DMX512, ON/OFF
Grey Scale	8bit, 16bit
Source Life	50,000h
RDM	Optional
LED chip Brand	Optional(Cree, OSRAM, Lumileds, Epistar, etc...)

Cover	PC(Transparent, Opal, Crystal)
Housing	PC+ABS
Weight	20g
Dimensions	46mm x 28.2mm x 17mm (L x W x H, exclude Mounting Bracket)
Installation	Installation with profiles or steel wire, Front loading buckle installation
Working Temperature	-40°C to 60°C
Storage Temperature	-40°C to 70°C
Protection Rating	IP66
Luminous Flux	25LM/W(RGB), 50LM/W(White), 30LM/W(RGBW)
Central Light Intensity	≥5cd(RGB)
Beam Angle	≥95°

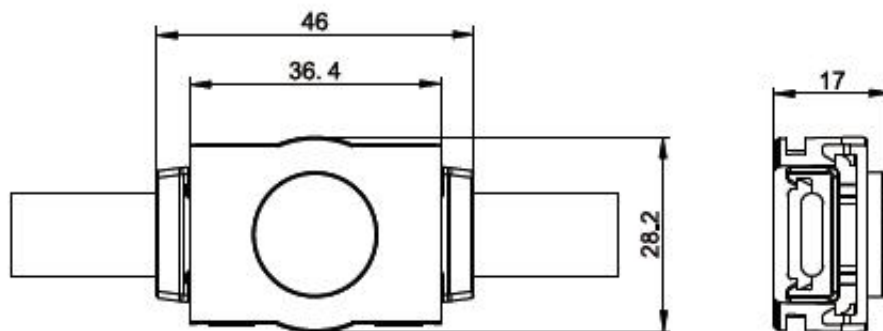
### Light Intensity Distribution

Light Intensity Chart



### Physical Dimension

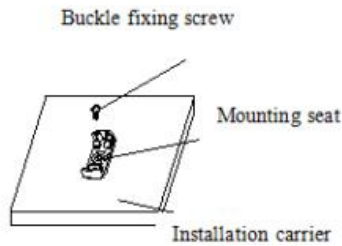
Unit: mm



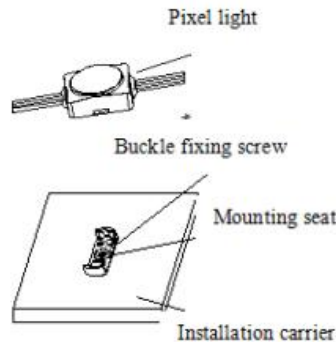
### Installation Diagram

## 1. Mount by clip

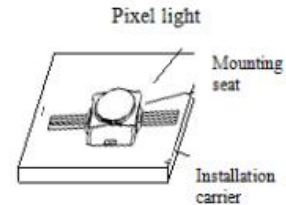
Step 1: Use the M3 screw to fix the mount to the required position. The specific spacing is as required by the order.



Step 2: After the installation is firmly fixed, the pixel light is stuck to the mount.

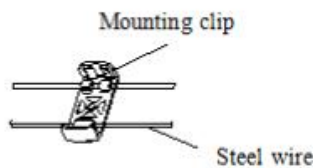


Step3: Schematic diagram after installation

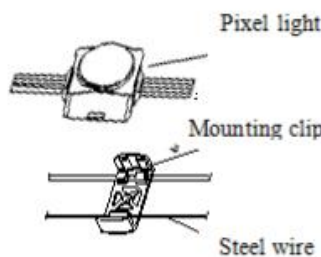


## 2. Mount by steel wire

Step 1: First pull the wire and then snap the mount onto the wire as shown



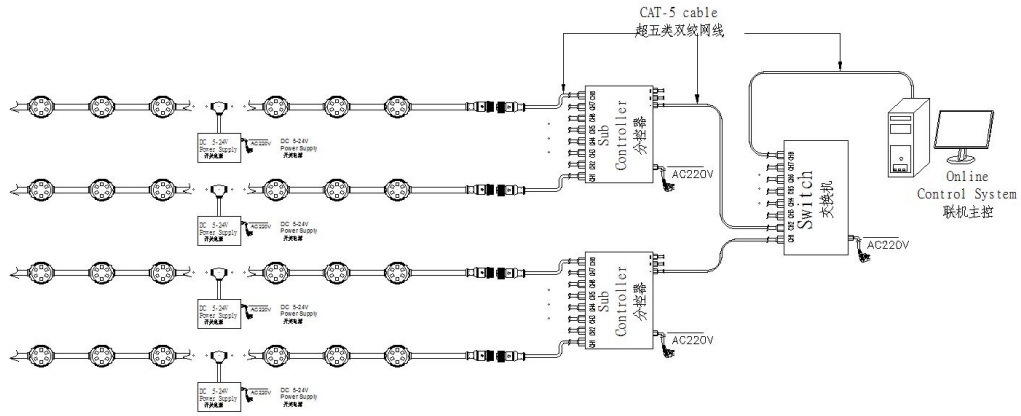
Step 2: Fasten the point light source to the mount as shown in the figure, and the spacing can be adjusted.



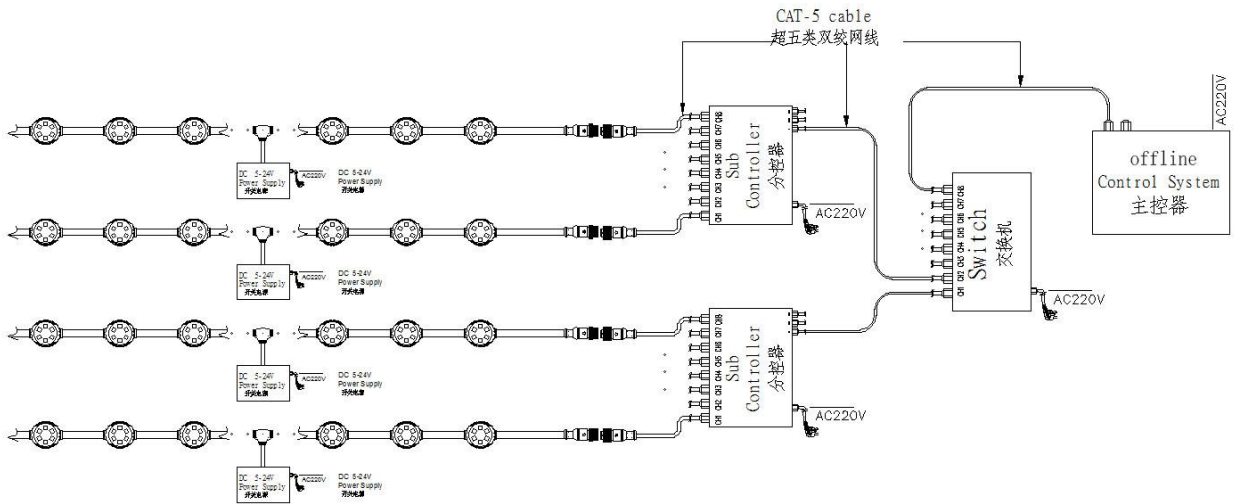
## System connection diagram:

- 1、 Host controller should connect with slave controller. Working voltage for controllers are AC220V.
- 2、 On-line main controller should connect with slave controller, on-line main controller and sub controller working voltage are AC220V.
- 3、 each sub-controller with 8 ports, with each port 512 pixels, supporting data converter, supports 100 meters ultra-long haul transmission.
- 4、 The CAT-5 e. cable distance should be within 100 meters between host controller and slave controller, between slave controllers and switch, etc.

## Online Controlling System Diagram



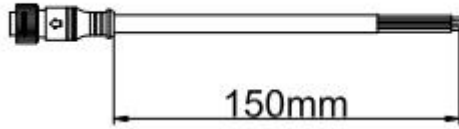
**Offline Controlling System Diagram**



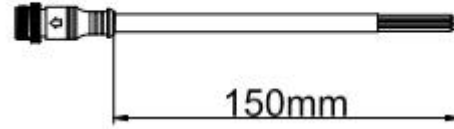
**Accessories :**

**1: Female and Male Connector( Connect to first dot light for signal transmission)**

Female Connector

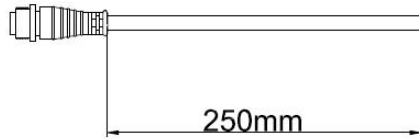


Male Connector



**2: Y Shape Connector(For power Distribution)**

Male Connector



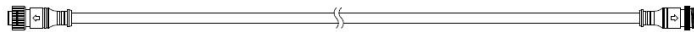
350mm

250mm

Female Connector

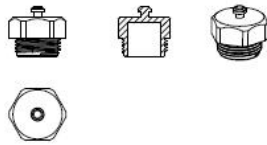
**3: Interconnection Cable(1.3M,3M,5M is standard length)**

Female Connector

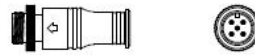


Male Connector

**4: End Cap**



Male Connector



Male Connector