

## EXC-P85GM LED Pixel Light



Crystal lens



Conventional lens

Application Environment:  
Indoor  
Outdoor

### Description

**EXC-P85GM series** are a string LED pixel light with extruded aluminum alloy housing, which are designed for outdoor landscape lighting by EXC-LED. Each EXC-P85GM pixel is a separate lighting pixel, and each pixel can realize 8bit/16bit grades gray scale changing. They can be used for indoor and outdoor applications, Customized pixel pitch, and easy installation.

### Features

- The newest generation technology: DMX512 parallel bus design
- Clip on-off style connection and anti-pull connection without connector design
- High thermal conductivity transformer and full-sealed filling waterproof method by German imported glue
- Outdoor lighting protection and electrostatic discharge (ESD) protection design

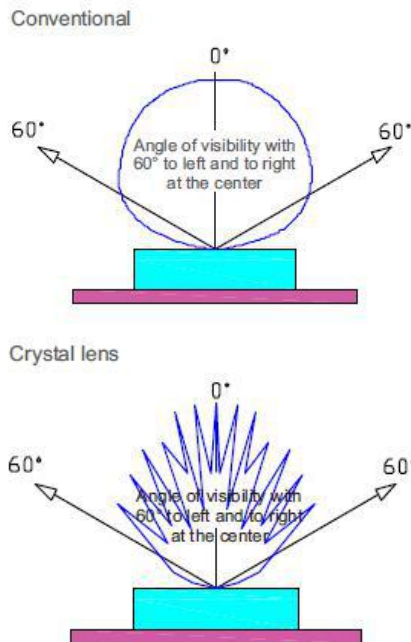
### Basic Specifications

Color	W(2200K-6500K), RGB, RGB+W, RGBW, etc...
Working Voltage	DC24V
Max. Power Consumption	3W/4W/5W
Light Source	12/18/24pcs SMD LEDs
CRI	80
Control	DMX512, ON/OFF
Grey Scale	8bit, 16bit
Source Life	50,000h
RDM	Optional
LED chip Brand	Optional(Cree, OSRAM, Lumileds, Epistar, etc...)
Cover	PC(Transparent, Opal, Crystal)
Housing	High strength extruded aluminum (其他灯具PC+ABS)
Weight	250g

Dimensions	105mm x 105mm x 62.5mm (L x W x H, exclude Mounting Bracket)
Installation	Installation with screws or adhesive
Working Temperature	-40°C to 50°C
Storage Temperature	-40°C to 70°C
Protection Rating	IP66
Luminous Flux	25LM/W(RGB), 50LM/W(White), 30LM/W(RGBW)
Central Light Intensity	54/81cd(W), 30cd(RGB), 38cd(RGBW)
Beam Angle	≥110°

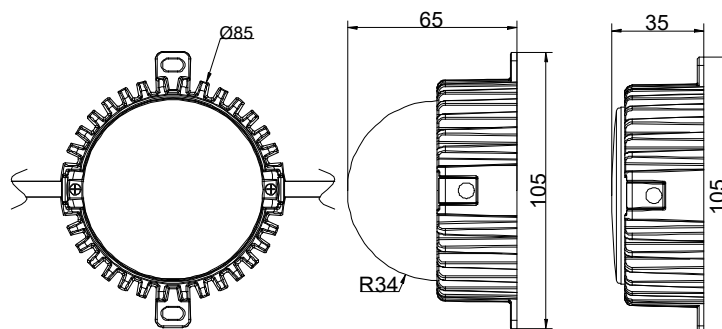
### Light Intensity Distribution

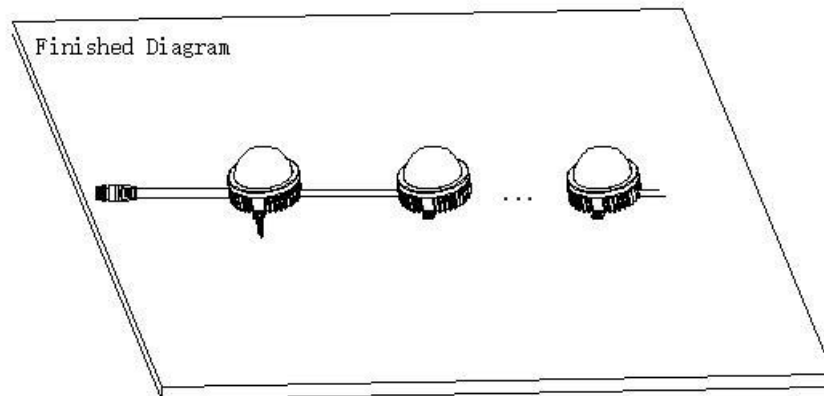
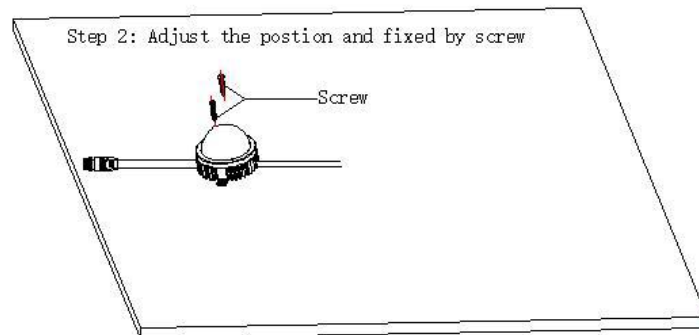
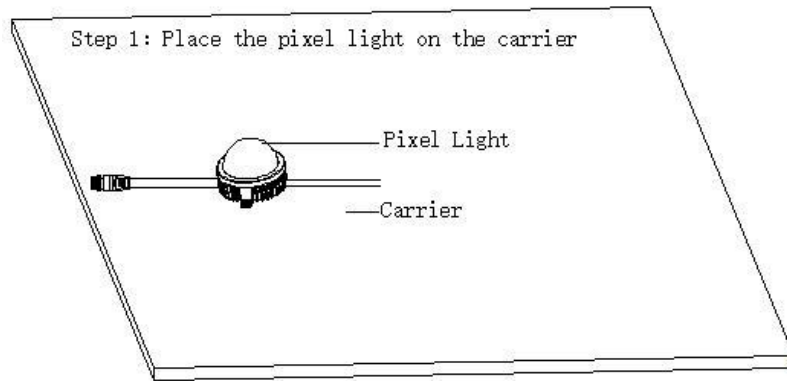
Light Intensity Chart



### Physical Dimension

Unit: mm

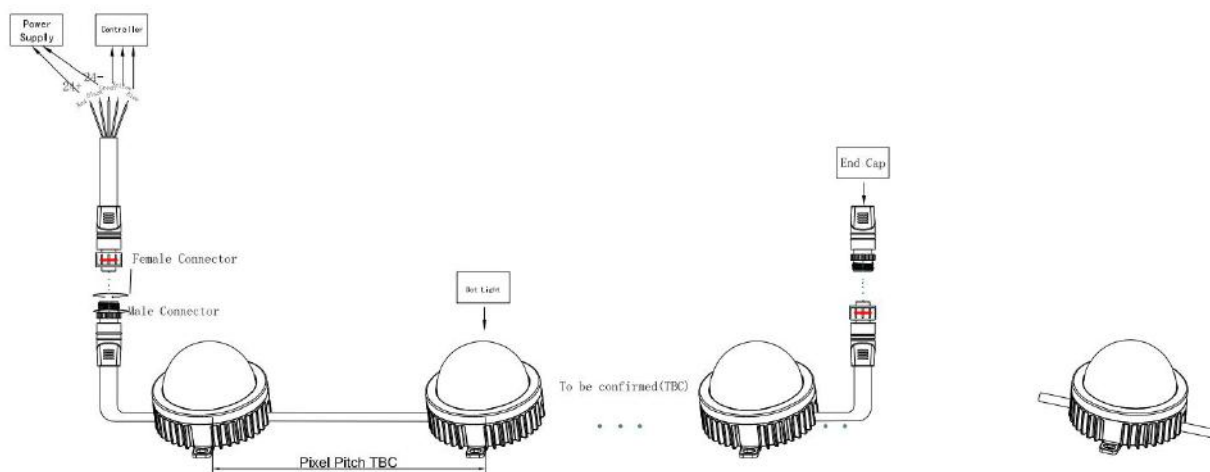




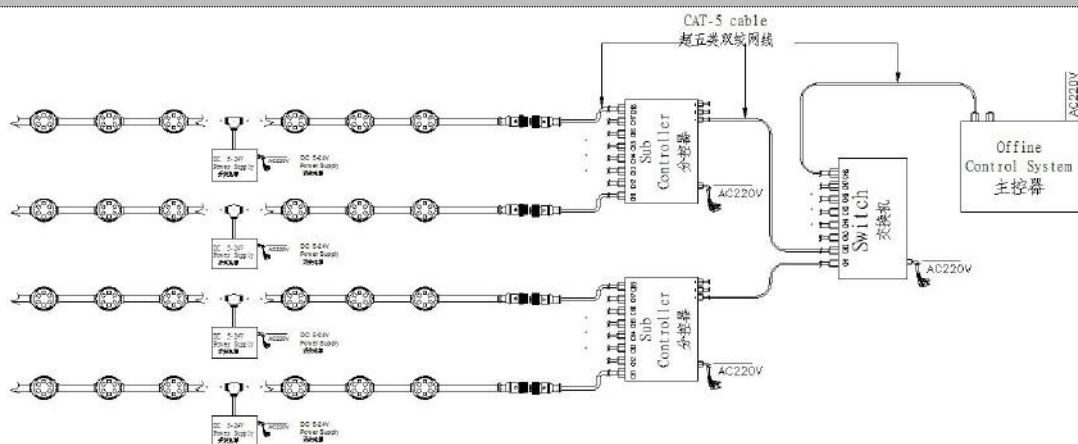
### System connection diagram:

- 1、 Host controller should connect with slave controller. Working voltage for controllers are AC220V.
- 2、 On-line main controller should connect with slave controller, on-line main controller and sub controller working voltage are AC220V.
- 3、 each sub-controller with 8 ports, with each port 512 pixels, supporting data converter, supports 100 meters ultra-long haul transmission.
- 4、 The CAT-5 e. cable distance should be within 100 meters between host controller and slave controller, between slave controllers and switch, etc.

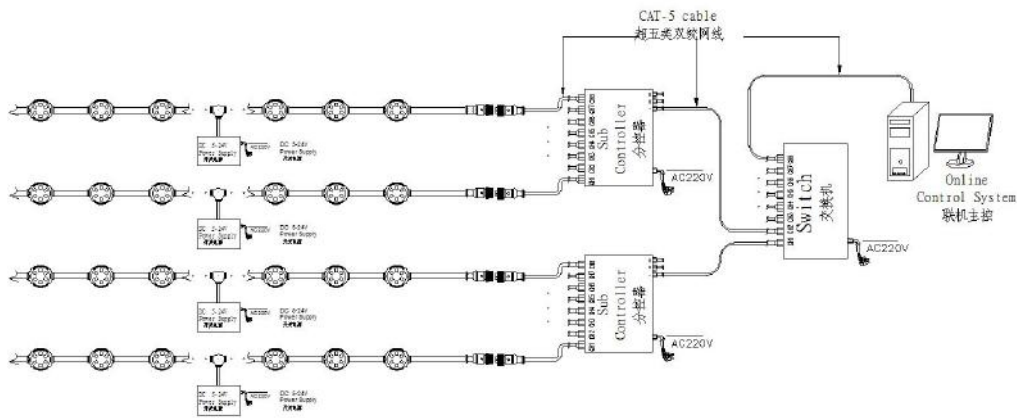
### Basic System Diagram



### Online Controlling System Diagram



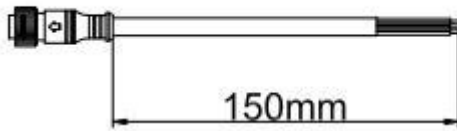
### Offline Controlling System Diagram



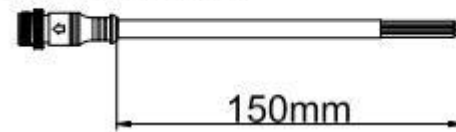
### Accessories :

#### 1: Female and Male Connector( Connect to first dot light for signal transmission)

Female Connector

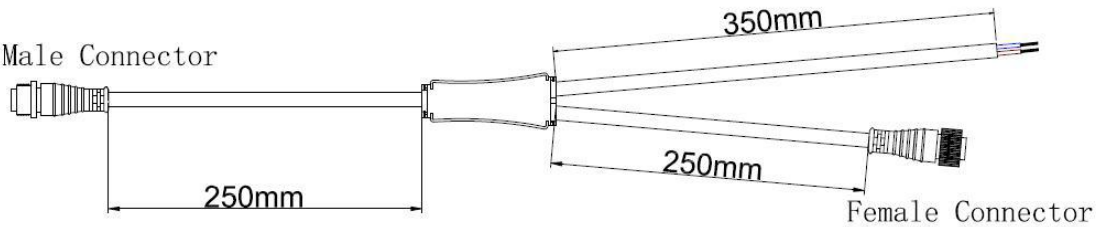


Male Connector



#### 2: Y Shape Connector(For power Distribution)

Male Connector



#### 3: Interconnection Cable(1.3M,3M,5M is standard length)

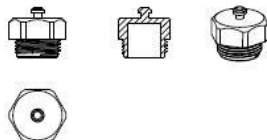
Female Connector



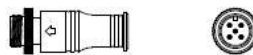
Male Connector



#### 4: End Cap



Male Connector



Male Connector