

EXC-W172BBH Multi-pixel LED Wall Washer



Application Environment:
Indoor
Outdoor

Description

EXC-W172BBH white light series are high strength aluminum housing LED wall washer with high power, which is designed for outdoor landscape lighting by EXC-LED, EXC-W172BBH linear wall washer with structure-waterproof design. EXC-W172BBH can be used for accent lighting or flood lighting, such as building facade, bridge, stage, etc. Customized lighting fixture length available.

Features

- The newest generation technology: DMX512 parallel bus design
- Professional comb convection heat dissipation design
- Unique waterproof and breathable design
- Low thermal resistance path heat dissipation design
- Outdoor lightning protection and electrostatic discharge (ESD) protection design
- Projection distance: 1-15m

Basic Specifications

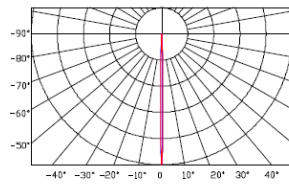
Color Range	W(2200K-6500K)
Light Source	36/60 pcs LEDs
Working Voltage	AC 220V
Max. Power Consumption	36W
Control	DMX512, ON/OFF
Segment	1
Grey Scale	8bit, 16bit
Source Life	50,000 h
RDM	Optional
LED chip Brand	Optional(Cree, OSRAM, Lumileds, Epistar, etc...)
Housing	High Strength Aluminum
Cover	Tempered glass

Weight	7.86KG
Working Temperature	-40°C to 60°C
Storage Temperature	-40°C to 70°C
Protection Rating	IP66
Efficiency flux	≥70LM/W(White),≥45LM/W(RGBW),≥30LM/W(RGB)
Beam Angle	3°, 5°, and other angles optional

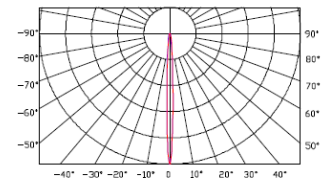
Host Controller	EXC-5200
Slave Controller	EXC-2905T1
Signal Cable	EXC-LED outdoor special cable

Light Intensity Distribution

Light Intensity Chart



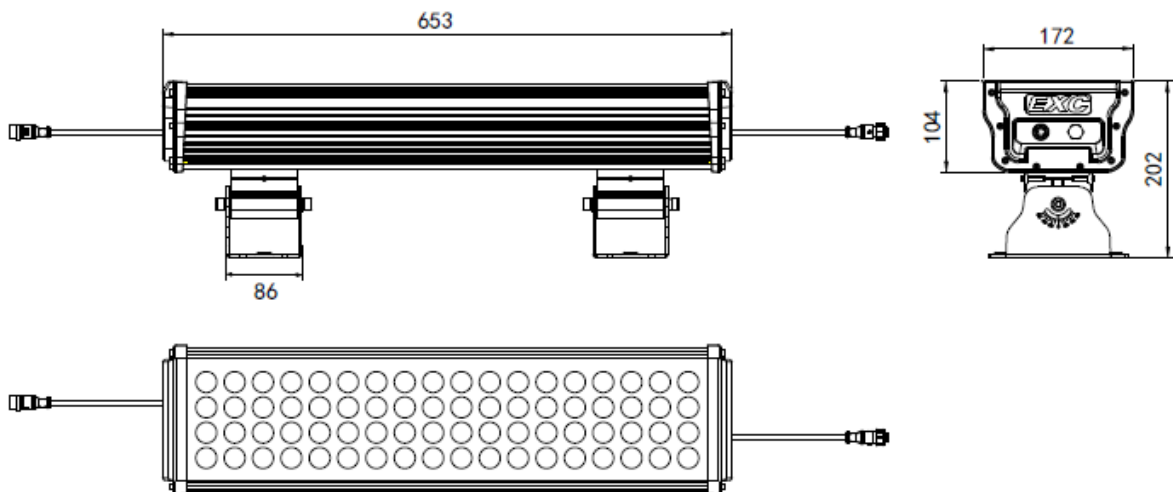
— CD/180 3°
— C90/270 3°



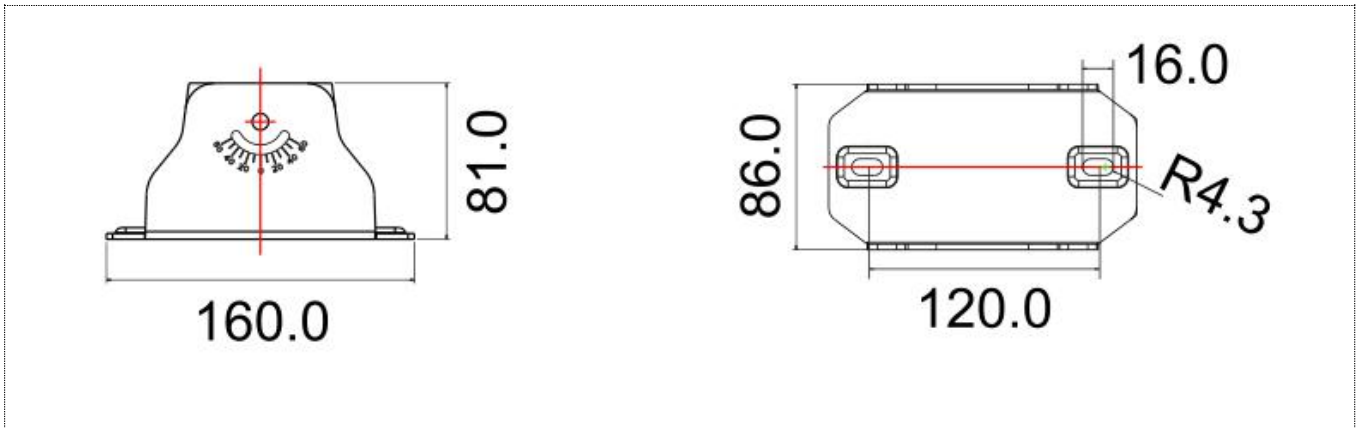
— CD/180 5°
— C90/270 5°

Physical Dimension

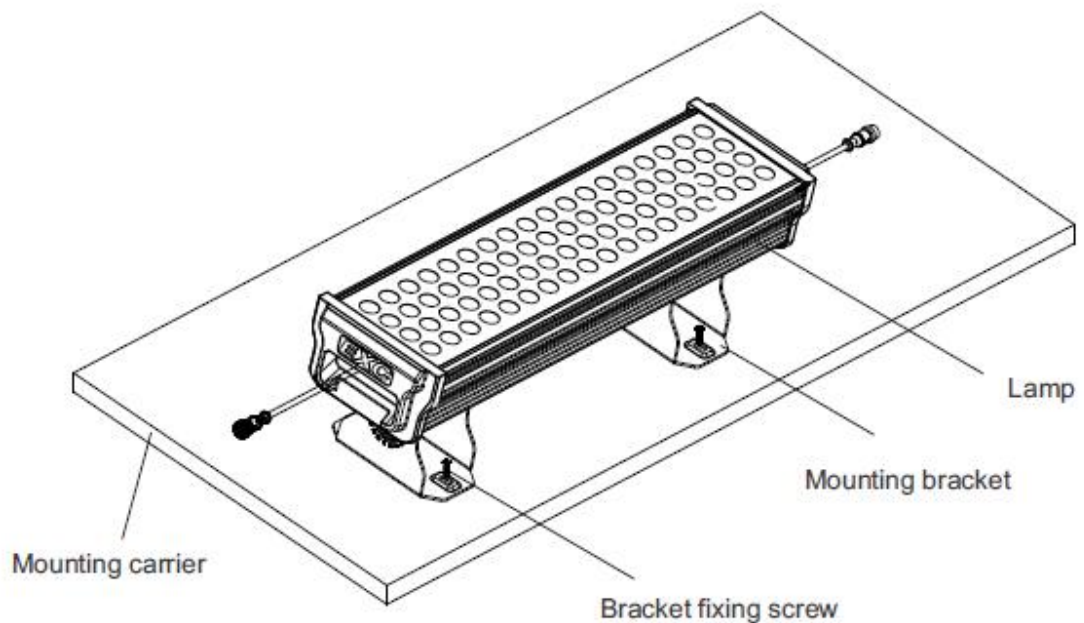
Unit:mm



Mounting Accessories 1:

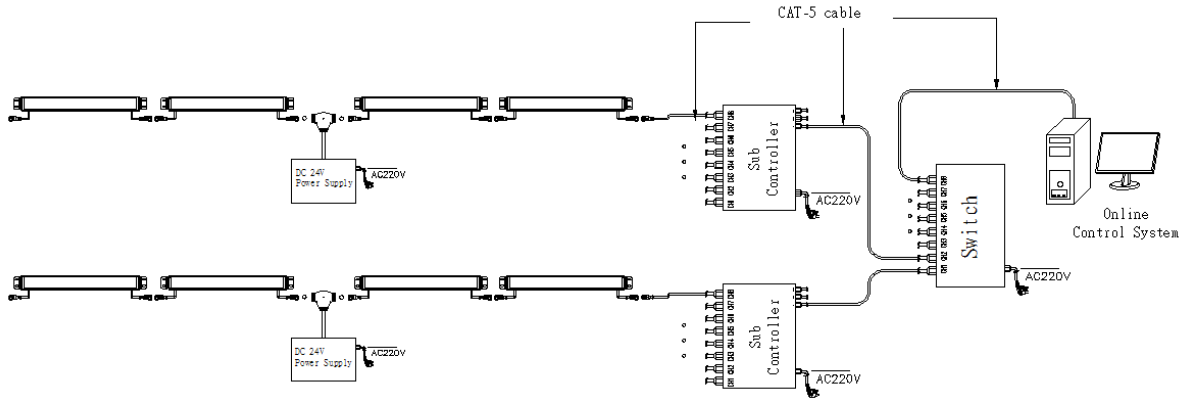
**Installation Diagram**

Use M8 expansion screws to fix the mounting seat to the required position as shown in the figure. The specific spacing shall be based on the length of lights.

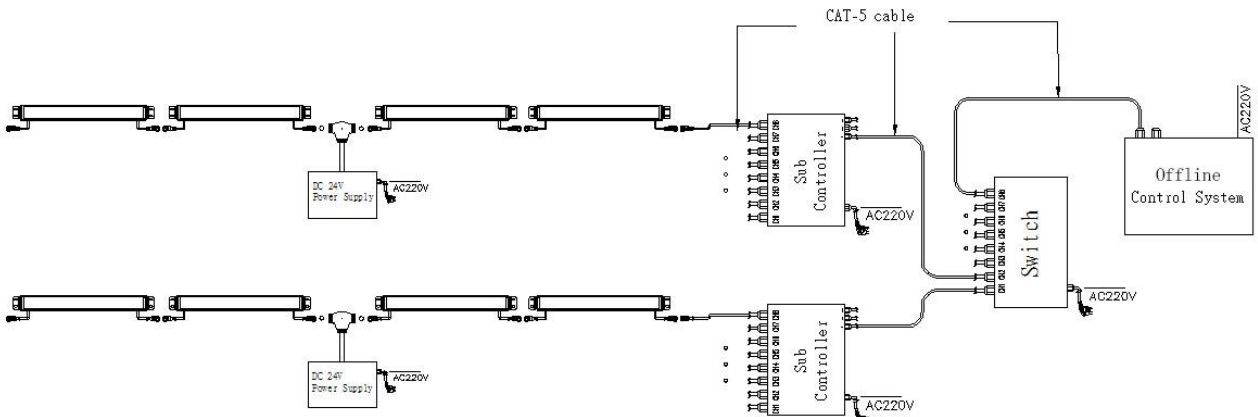
**System connection diagram:**

- 1, Host controller should connect with slave controller. Working voltage for controllers are AC220V.
- 2, On-line main controller should connect with slave controller, on-line main controller and sub controller working voltage are AC220V.
- 3, Each sub-controller with 8 ports, with each port 512 pixels, supporting data converter, supports 100 meters ultra-long haul transmission.
- 4, The CAT-5 e. cable distance should be within 100 meters between host controller and slave controller, between slave controllers and switch, etc.

Online Controlling System Diagram



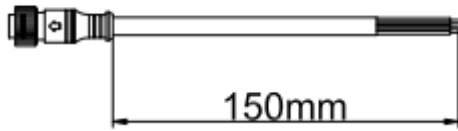
Offline Controlling System Diagram



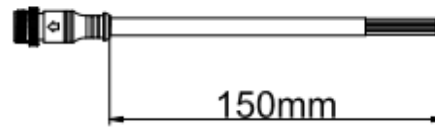
Accessories :

1: Female and Male Connector(Connect to first dot light for signal transmission)

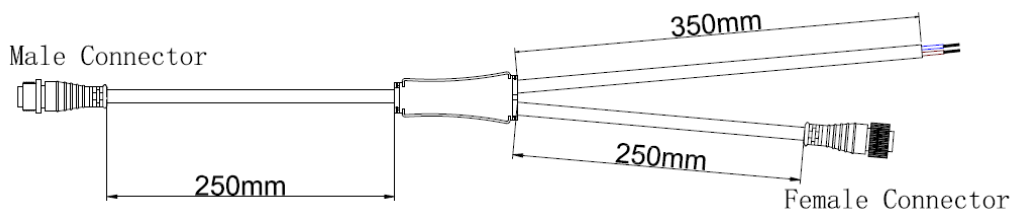
Female Connector



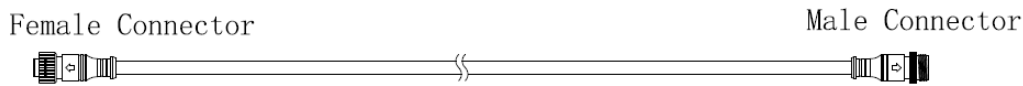
Male Connector



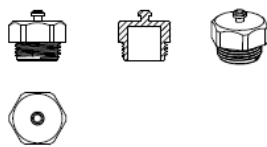
2: Y Shape Connector(For power Distribution)



3: Interconnection Cable(1.3M,3M,5M is standard length)



4: End Cap



Male Connector



Male Connector