

EXC-W30CRL Multi-pixel LED Wall Washer



Application Environment:
Indoor
Outdoor

Description

EXC-W30CRL white color series are high power outdoor landscape LED wall washer with low strength aluminum alloy housing by EXC-LED. EXC-W30CRL can be used for accent lighting or flood lighting, such as building facade, bridge, stage, etc. customized lighting fixture length available.

Features

- Only 30mm width, very compact design
- Patented comb-like convection design ensure better heat dissipation
- Low thermal resistance path heat dissipation design
- Design of unique waterproof and ventilation
- Outdoor lighting protection and electrostatic discharge (ESD) protection design
- Projection distance: 1-1.5m

Basic Specifications

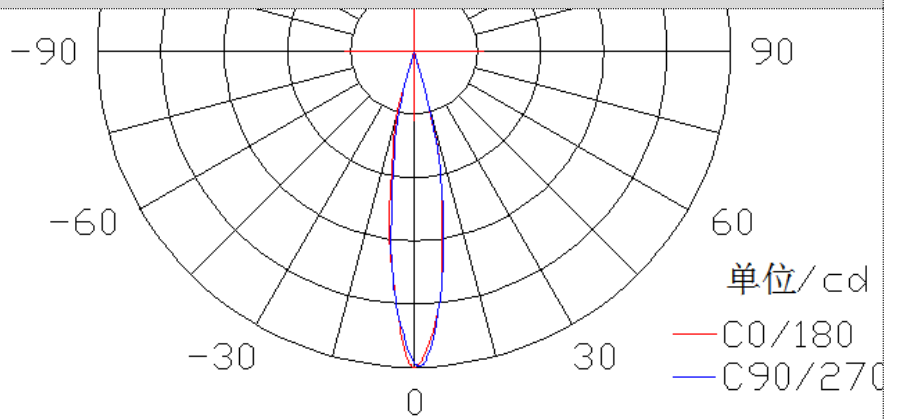
Color Range	W(2200K-6500K)
Light Source	36 pcs LEDs
Working Voltage	DC 24V
Max. Power Consumption	12W
Control	ON/OFF
Segment	1
Grey Scale	/
Source Life	50,000 h
RDM	Optional
LED chip Brand	Optional(Cree, OSRAM, Lumileds, Epistar, etc...)
Housing	High Strength Aluminum
Cover	Tempered glass
Weight	0.75KG
Working Temperature	-40°C to 60°C
Storage Temperature	-40°C to 70°C

Protection Rating	IP66
Light Intensity	840LM
Beam Angle	20°

Host Controller	EXC-5200
Slave Controller	EXC-2905T1
Signal Cable	EXC-LED outdoor special cable

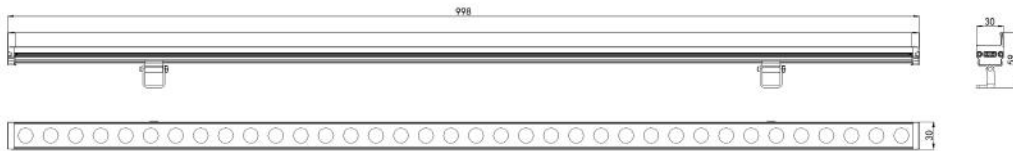
Light Intensity Distribution

Light Intensity Chart

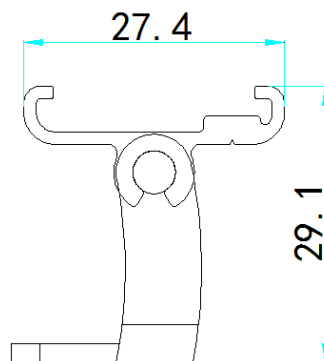


Physical Dimension

Unit: mm



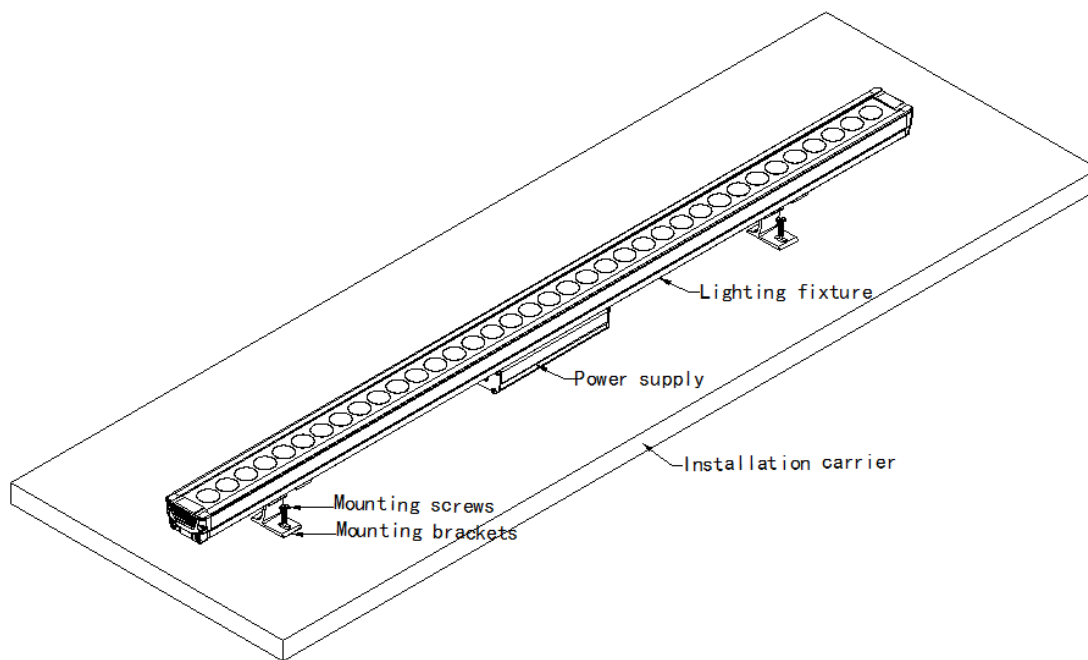
Mounting Accessories 1:



Installation Diagram

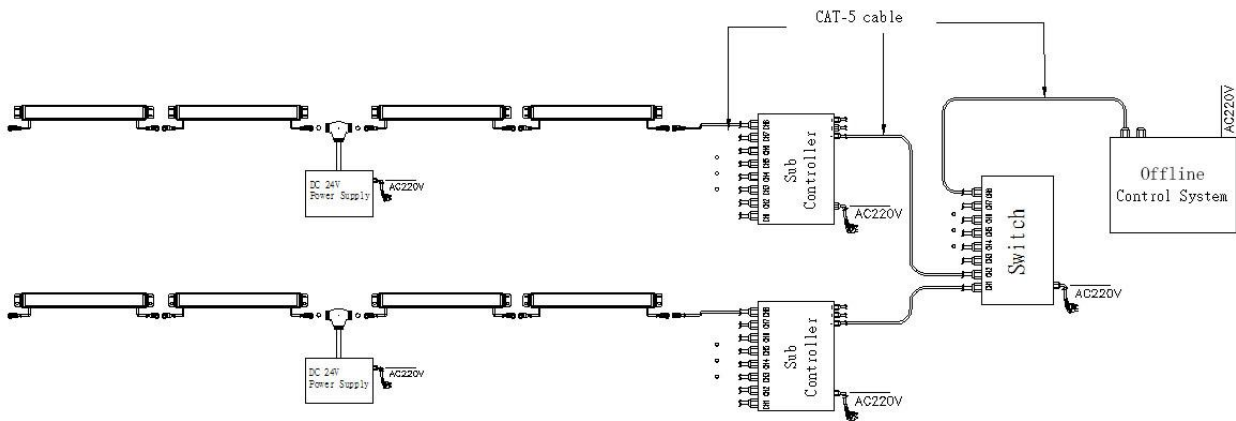
Step 1: Use M6 expansion screw and fix the mounting seat to the required position as shown. And specific spacing according to lamp length requirements.

Step2: Fix the screws.

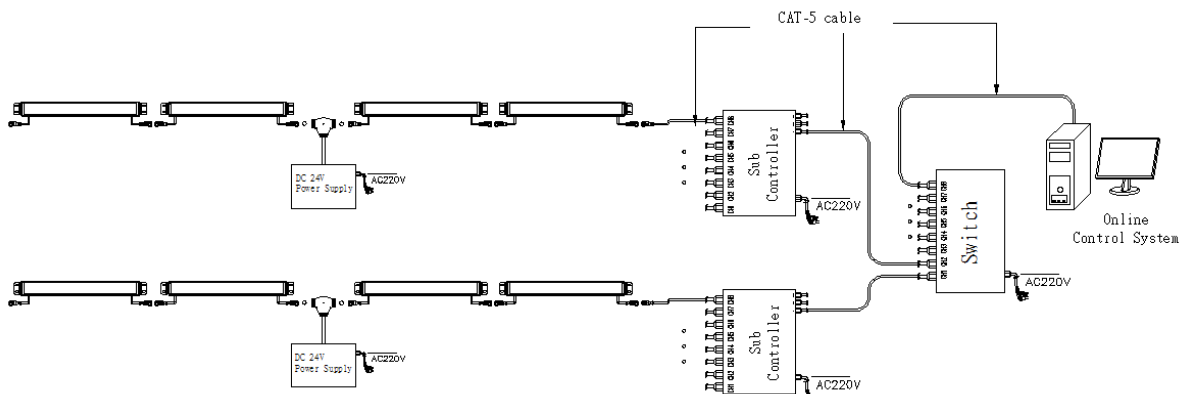
**System connection diagram:**

- 1、 Host controller should connect with slave controller. Working voltage for controllers are AC220V.
- 2、 On-line main controller should connect with slave controller, on-line main controller and sub controller working voltage are AC220V.
- 3、 each sub-controller with 8 ports, with each port 512 pixels, supporting data converter, supports 100 meters ultra-long haul transmission.
- 4、 The CAT-5 e. cable distance should be within 100 meters between host controller and slave controller, between slave controllers and switch, etc.

Offline Controlling System Diagram



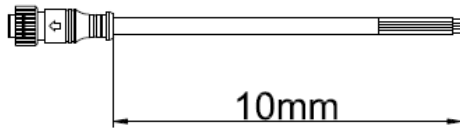
Online Controlling System Diagram



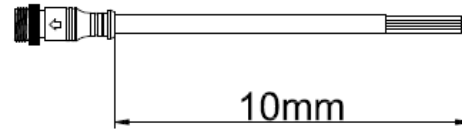
Accessories :

1: Female and Male Connector(Connect to first dot light for signal transmission)

Female Connector

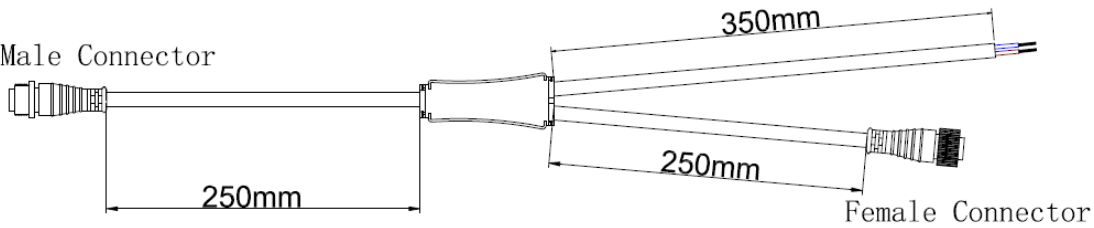


Male Connector



2: Y Shape Connector(For power Distribution)

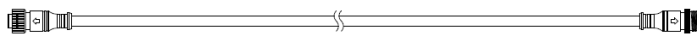
Male Connector



Female Connector

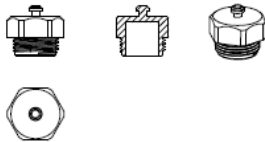
3: Interconnection Cable(1.3M,3M,5M is standard length)

Female Connector

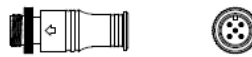


Male Connector

4: End Cap



Male Connector



Male Connector